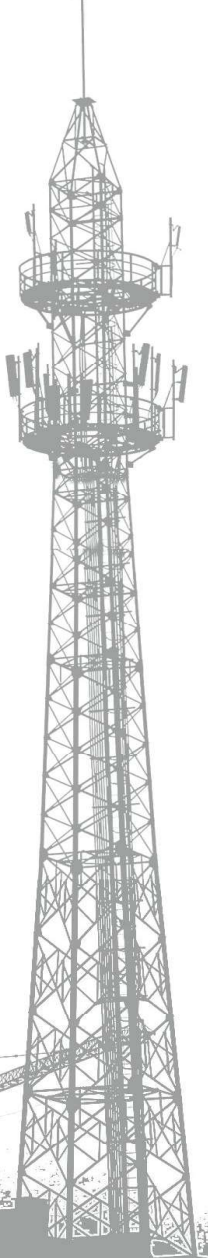


# GFMJ-600

GFMJ Series VRLA Gel Battery

**ALLGRAND®**

Power the World



## Applications

- ▣ Data/Computing Center, UPS, EPS
- ▣ Standby Power for Telecom and Mobile Systems
- ▣ Standby Power for Signaling Systems of Railway, Airport, and etc.
- ▣ Standby Power for Electrical Utilities and Nuclear Reactors

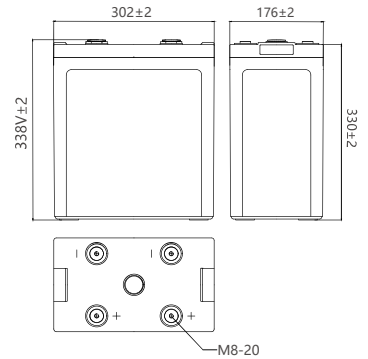
## Highlights

- ▣ Long life design(up to 15 years)
- ▣ Reliably sealed
- ▣ High specific energy, low IR & self discharge
- ▣ Higher reaction efficiency and conformity

## Features

- ▣ Float charging life prolonged by our proprietary corrosion resistant alloy;
- ▣ High-purity electrolytes and special agents reduce water loss;
- ▣ Impacts from earthquakes are reduced by compact seismic ABS jars and covers;
- ▣ Delicate seal technologies protect the battery from electrolyte leakage and creepage;
- ▣ The delicate construction of self-relief valves can avoid bulges and cracks.
- ▣ Easy installation and maintenance are provided by round copper core terminals

## Dimensions



## Certifications



## Specifications

| Model               | GFMJ-600  |             |
|---------------------|---|-------------|
| Design Life         | 15 years  |             |
| Nominal Capacity    | 10HR(60A,1.80V)   | 600Ah       |
|                     | 3HR(150A,1.80V)   | 450Ah       |
|                     | 1HR(300A,1.80V)   | 300Ah       |
| Internal Resistance | 0.38mΩ(Full Charge)                                       |             |
| Self Discharge      | ≤3% per month   |             |
| Charge Voltage      | Cycle Use   | Standby Use |
|                     | 2.33-2.37V/Cell (-4mV/°C/Cell)<br>Max. Charge Current:90A |             |
|                     | 2.21-2.25V/Cell (-3mV/°C/Cell))                           |             |

Note: Data contained herein are measured at 25°C

# GFMJ-600

GFMJ Series VRLA Gel Battery

**ALLGRAND®**

Power the World



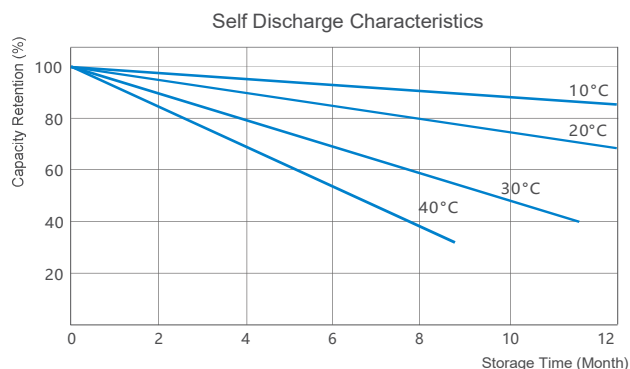
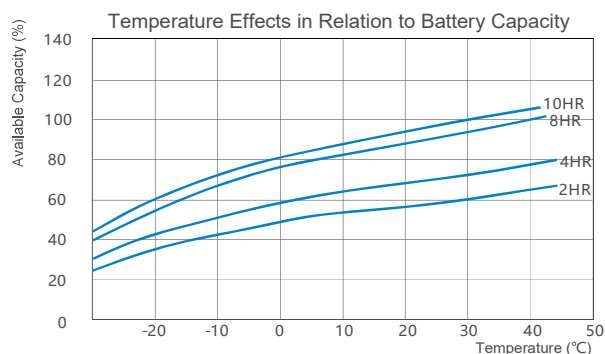
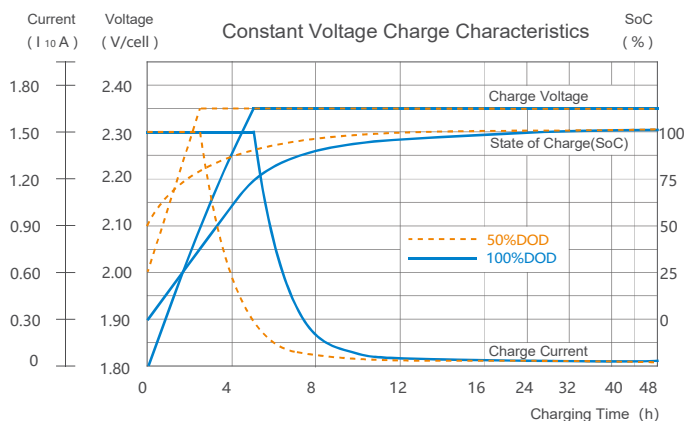
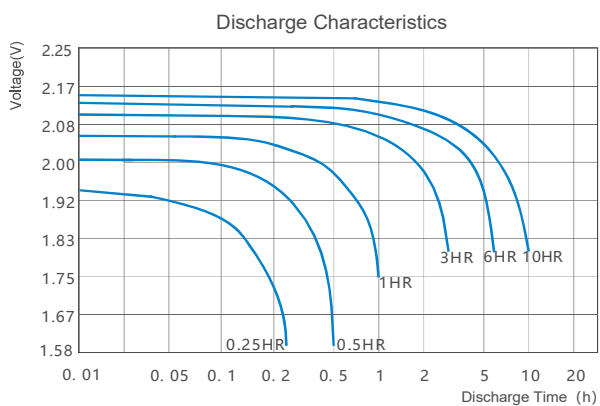
## Constant Current Discharge Rate (A, 25°C)

| Model    | F.V. (V/Cell) | Minute |     |     |     |     |     | Hour |     |     |     |     |      |      |      |      |  |
|----------|---------------|--------|-----|-----|-----|-----|-----|------|-----|-----|-----|-----|------|------|------|------|--|
|          |               | 5      | 10  | 15  | 20  | 30  | 45  | 1    | 2   | 3   | 4   | 5   | 6    | 8    | 10   | 20   |  |
| GFMJ-600 | 1.85          | 600    | 528 | 456 | 425 | 374 | 319 | 284  | 188 | 146 | 115 | 104 | 93.9 | 74.7 | 57.0 | 32.9 |  |
|          | 1.80          | 661    | 612 | 564 | 515 | 433 | 358 | 313  | 203 | 155 | 125 | 107 | 97.6 | 79.2 | 60.7 | 34.2 |  |
|          | 1.75          | 797    | 697 | 635 | 586 | 488 | 392 | 327  | 209 | 159 | 129 | 108 | 99.0 | 81.0 | 62.8 | 35.0 |  |
|          | 1.70          | 890    | 795 | 701 | 636 | 531 | 410 | 333  | 212 | 160 | 130 | 109 | 99.6 | 81.6 | 63.7 | 35.2 |  |
|          | 1.67          | 974    | 843 | 748 | 661 | 550 | 416 | 335  | 212 | 161 | 131 | 109 | 99.8 | 81.9 | 64.0 | 35.3 |  |
|          | 1.60          | 1101   | 934 | 813 | 705 | 573 | 423 | 338  | 213 | 162 | 132 | 109 | 100  | 82.3 | 64.5 | 35.6 |  |

## Constant Power Discharge Rate (Watt/Cell, 25°C)

| Model    | F.V. (V/Cell) | Minute |      |      |      |     |     | Hour |     |     |     |     |     |     |     |      |  |
|----------|---------------|--------|------|------|------|-----|-----|------|-----|-----|-----|-----|-----|-----|-----|------|--|
|          |               | 5      | 10   | 15   | 20   | 30  | 45  | 1    | 2   | 3   | 4   | 5   | 6   | 8   | 10  | 20   |  |
| GFMJ-600 | 1.85          | 1026   | 946  | 922  | 816  | 722 | 631 | 551  | 360 | 286 | 226 | 209 | 189 | 150 | 115 | 63.0 |  |
|          | 1.80          | 1205   | 1118 | 1065 | 910  | 800 | 669 | 598  | 391 | 302 | 239 | 215 | 196 | 158 | 120 | 67.4 |  |
|          | 1.75          | 1355   | 1262 | 1181 | 1021 | 871 | 713 | 626  | 405 | 309 | 246 | 217 | 199 | 161 | 124 | 68.9 |  |
|          | 1.70          | 1562   | 1375 | 1289 | 1095 | 914 | 749 | 640  | 409 | 311 | 248 | 218 | 200 | 162 | 125 | 69.5 |  |
|          | 1.67          | 1651   | 1458 | 1343 | 1130 | 940 | 760 | 645  | 411 | 312 | 249 | 219 | 200 | 163 | 126 | 69.7 |  |
|          | 1.60          | 1778   | 1596 | 1425 | 1194 | 972 | 773 | 649  | 413 | 313 | 250 | 219 | 200 | 163 | 127 | 69.9 |  |

## Performance



Disclaimer: All data presented above are subject to change without further notice. Please contact ALLGRAND for latest updates.