

# GFM-2000

GFM Series VRLA Gel Battery

**ALLGRAND®**

Power the World



## Applications

- ▣ Data/Computing Center, UPS, EPS
- ▣ Standby Power for Telecom and Mobile Systems
- ▣ Standby Power for Signaling Systems of Railway, Airport, and etc.
- ▣ Standby Power for Electrical Utilities and Nuclear Reactors

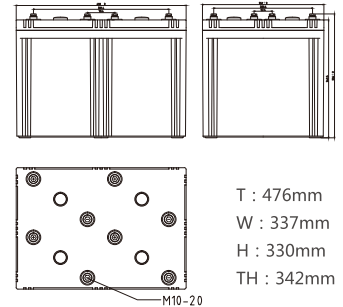
## Highlights

- ▣ Long life design(up to 12 years)
- ▣ Reliably sealed
- ▣ High specific energy, low IR & self discharge
- ▣ Higher reaction efficiency and conformity

## Features

- ▣ Float charging life prolonged by our proprietary corrosion resistant alloy;
- ▣ High-purity electrolytes and special agents reduce water loss;
- ▣ Impacts from earthquakes are reduced by compact seismic ABS jars and covers;
- ▣ Delicate seal technologies protect the battery from electrolyte leakage and creepage;
- ▣ The delicate construction of self-relief valves can avoid bulges and cracks.
- ▣ Easy installation and maintenance are provided by round copper core terminals

## Dimensions



## Certifications



## Specifications

Model	GFM-2000	
Design Life	12 years	
Nominal Capacity	20HR(108A,1.80V)	2160Ah
	10HR(200A,1.80V)	2000Ah
	3HR(540A,1.80V)	1620Ah
	1HR(1100A,1.80V)	1100Ah
Internal Resistance	0.17mΩ(Full Charge)	
Self Discharge	≤3% per month	
Charge Voltage	Cycle Use	Standby Use
	2.33V/Cell (-4mV/°C/Cell) Max. Charge Current:300A	2.23V/Cell (-3mV/°C/Cell))

Note: Data contained herein are measured at 25°C

V11 20200501CH

# GFM-2000

GFM Series VRLA Gel Battery



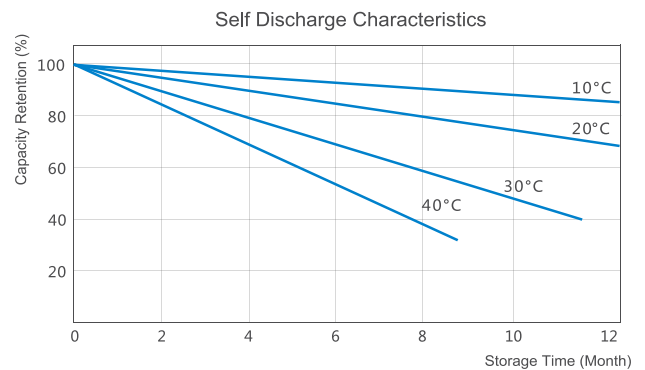
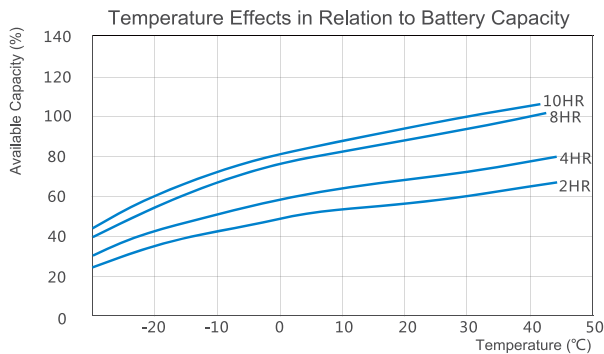
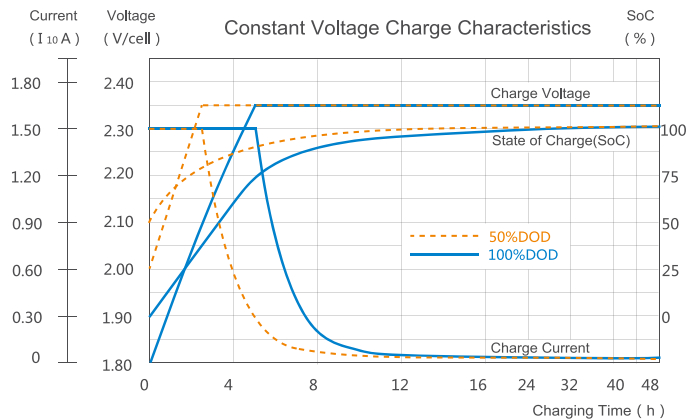
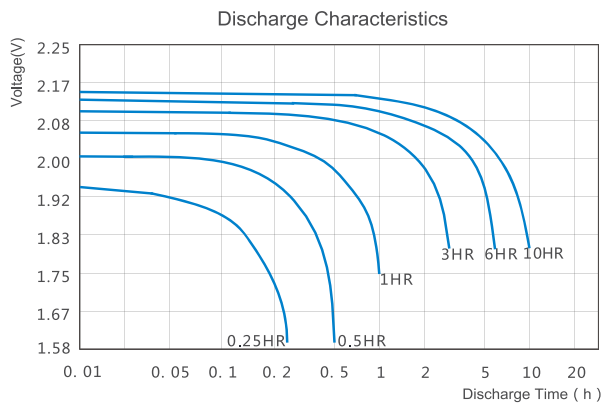
## Constant Current Discharge Rate (A, 25°C )

Model	F.V. (V/Cell)	Minute						Hour									
		5	10	15	20	30	45	1	2	3	4	5	6	8	10	20	
GFM-2000	1.85	2001	1760	1519	1418	1248	1062	946	626	488	384	345	313	249	190	110	
	1.80	2204	2041	1879	1716	1442	1194	1042	677	518	417	356	325	264	202	114	
	1.75	2656	2323	2118	1954	1627	1307	1089	698	530	430	360	330	270	209	117	
	1.70	2965	2651	2337	2078	1734	1365	1110	705	535	434	362	332	272	212	117	
	1.67	3247	2812	2492	2202	1834	1388	1117	708	536	437	363	333	273	213	118	
	1.60	3671	3113	2710	2351	1908	1410	1125	711	539	440	364	334	274	215	119	

## Constant Power Discharge Rate (Watt/Cell, 25°C)

Model	F.V. (V/Cell)	Minute						Hour									
		5	10	15	20	30	45	1	2	3	4	5	6	8	10	20	
GFM-2000	1.85	3419	3060	2879	2721	2359	2061	1799	1200	952	754	696	630	499	382	210	
	1.80	4015	3619	3328	3034	2615	2184	1953	1303	1006	796	717	653	526	401	225	
	1.75	4517	4083	3691	3404	2844	2330	2046	1349	1029	819	724	662	537	414	230	
	1.70	5208	4449	4026	3649	2984	2445	2091	1364	1036	827	727	665	540	418	232	
	1.67	5502	4717	4196	3766	3069	2483	2106	1371	1040	830	729	666	542	419	232	
	1.60	5928	5166	4453	3981	3177	2524	2121	1375	1044	834	730	668	545	423	233	

## Performance



Disclaimer: All data presented above are subject to change without further notice. Please contact ALLGRAND for latest updates.