

GFM-1500

GFM Series VRLA Gel Battery

ALLGRAND®

Power the World



Applications

- ▣ Data/Computing Center, UPS, EPS
- ▣ Standby Power for Telecom and Mobile Systems
- ▣ Standby Power for Signaling Systems of Railway, Airport, and etc.
- ▣ Standby Power for Electrical Utilities and Nuclear Reactors

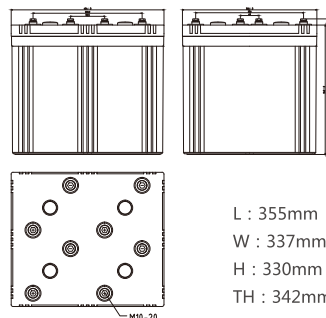
Highlights

- ▣ Long life design(up to 12 years)
- ▣ Reliably sealed
- ▣ High specific energy, low IR & self discharge
- ▣ Higher reaction efficiency and conformity

Features

- ▣ Float charging life prolonged by our proprietary corrosion resistant alloy;
- ▣ High-purity electrolytes and special agents reduce water loss;
- ▣ Impacts from earthquakes are reduced by compact seismic ABS jars and covers;
- ▣ Delicate seal technologies protect the battery from electrolyte leakage and creepage ;
- ▣ The delicate construction of self-relief valves can avoid bulges and cracks.
- ▣ Easy installation and maintenance are provided by round copper core terminals

Dimensions



Certifications



Specifications

Model	GFM-1500	
Design Life	12 years	
Nominal Capacity	20HR(81A,1.80V)	1620Ah
	10HR(150A,1.80V)	1500Ah
	3HR(405A,1.80V)	1215Ah
	1HR(825A,1.80V)	825Ah
Internal Resistance	0.20mΩ(Full Charge)	
Self Discharge	≤3% per month	
Charge Voltage	Cycle Use	Standby Use
	2.33V/Cell (-4mV/°C/Cell) Max. Charge Current:225A	2.23V/Cell (-3mV/°C/Cell))

Note: Data contained herein are measured at 25°C

GFM-1500

GFM Series VRLA Gel Battery



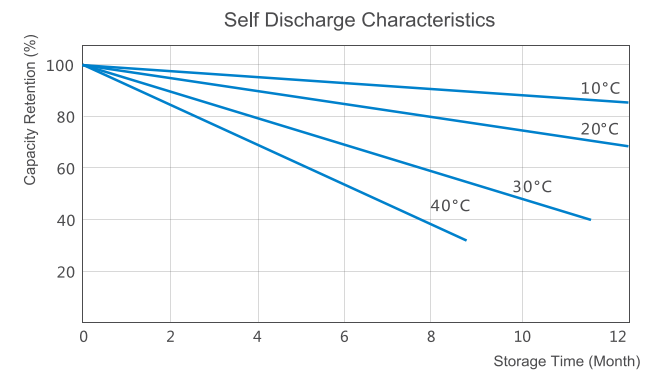
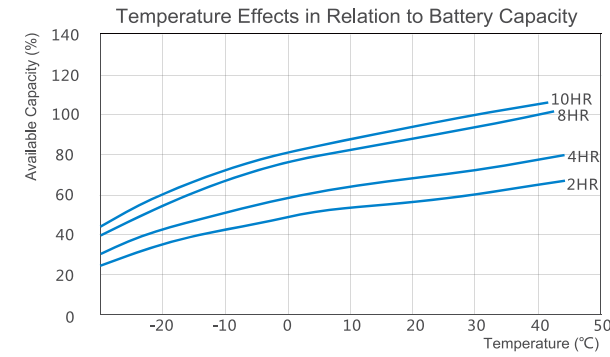
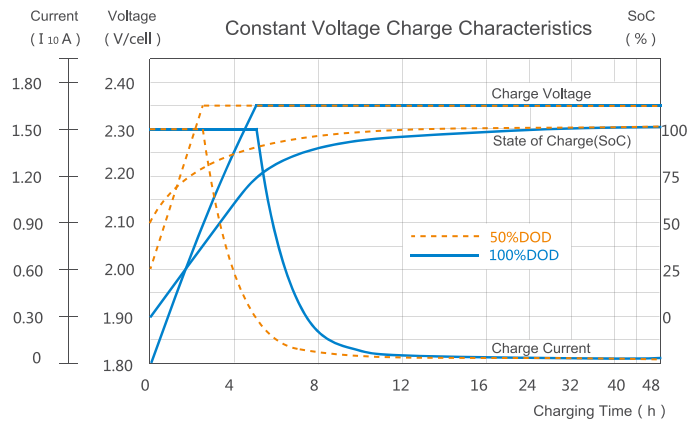
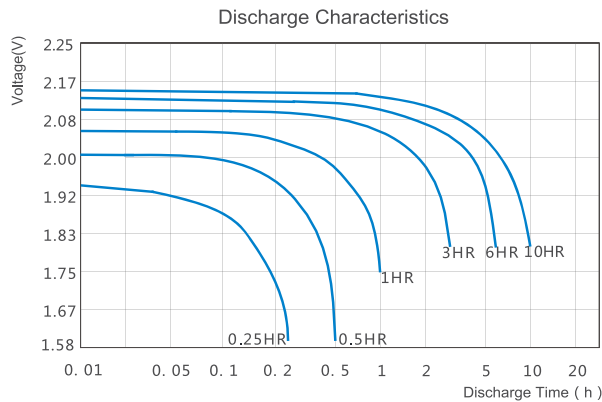
Constant Current Discharge Rate (A, 25°C)

Model	F.V. (V/Cell)	Minute						Hour									
		5	10	15	20	30	45	1	2	3	4	5	6	8	10	20	
GFM-1500	1.85	1501	1320	1139	1064	936	797	709	469	366	288	259	235	187	143	82.3	
	1.80	1653	1531	1409	1287	1082	896	781	508	388	313	267	244	198	152	85.5	
	1.75	1992	1742	1589	1466	1220	980	817	524	398	322	270	248	202	157	87.5	
	1.70	2224	1988	1753	1542	1287	1024	832	529	401	326	271	249	204	159	88.0	
	1.67	2436	2109	1869	1652	1376	1041	837	531	402	327	272	250	205	160	88.3	
	1.60	2753	2335	2033	1763	1431	1058	844	534	404	330	273	251	206	161	88.9	

Constant Power Discharge Rate (Watt/Cell, 25°C)

Model	F.V. (V/Cell)	Minute						Hour									
		5	10	15	20	30	45	1	2	3	4	5	6	8	10	20	
GFM-1500	1.85	2564	2295	2159	2041	1751	1530	1336	900	714	566	522	473	374	287	158	
	1.80	3011	2714	2496	2275	1941	1621	1449	977	754	597	537	490	395	301	168	
	1.75	3388	3062	2768	2553	2111	1729	1519	1011	771	614	543	496	403	311	172	
	1.70	3906	3337	3020	2737	2215	1815	1552	1023	777	620	545	499	405	313	174	
	1.67	4126	3538	3147	2825	2279	1843	1563	1029	780	623	547	500	406	314	174	
	1.60	4446	3875	3340	2986	2358	1873	1574	1031	783	626	548	501	408	317	175	

Performance



Disclaimer: All data presented above are subject to change without further notice. Please contact ALLGRAND for latest updates.



V11 20200501CH