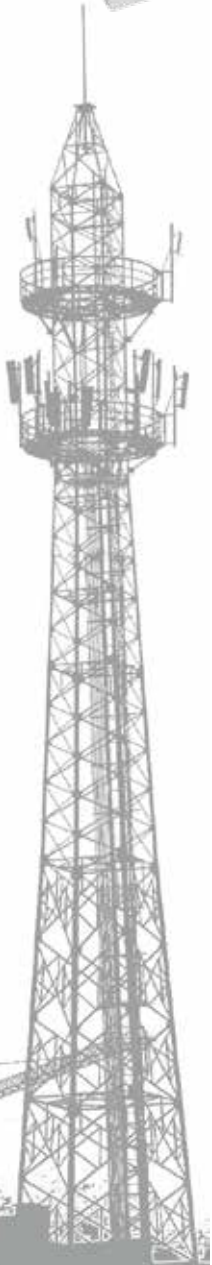


GFM-1000

GFM Series VRLA Gel Battery

ALLGRAND®

Power the World



Applications

- ▣ Data/Computing Center, UPS, EPS
- ▣ Standby Power for Telecom and Mobile Systems
- ▣ Standby Power for Signaling Systems of Railway, Airport, and etc.
- ▣ Standby Power for Electrical Utilities and Nuclear Reactors

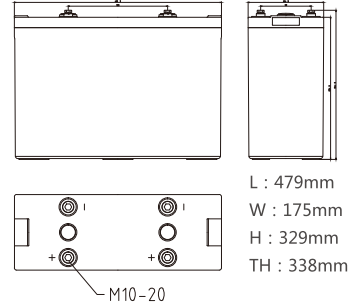
Highlights

- ▣ Long life design(up to 12 years)
- ▣ Reliably sealed
- ▣ High specific energy, low IR & self discharge
- ▣ Higher reaction efficiency and conformity

Features

- ▣ Float charging life prolonged by our proprietary corrosion resistant alloy;
- ▣ High-purity electrolytes and special agents reduce water loss;
- ▣ Impacts from earthquakes are reduced by compact seismic ABS jars and covers;
- ▣ Delicate seal technologies protect the battery from electrolyte leakage and creepage ;
- ▣ The delicate construction of self-relief valves can avoid bulges and cracks.
- ▣ Easy installation and maintenance are provided by round copper core terminals

Dimensions



Certifications



Specifications

Model	GFM-1000	
Design Life	12 years	
Nominal Capacity	20HR(54A,1.80V)	1080Ah
	10HR(100A,1.80V)	1000Ah
	3HR(270A,1.80V)	810Ah
	1HR(550A,1.80V)	550Ah
Internal Resistance	0.31mΩ(Full Charge)	
Self Discharge	≤3% per month	
Charge Voltage	Cycle Use	Standby Use
	2.33V/Cell (-4mV/°C/Cell) Max. Charge Current:150A	2.23V/Cell (-3mV/°C/Cell))

Note: Data contained herein are measured at 25°C

GFM-1000

GFM Series VRLA Gel Battery



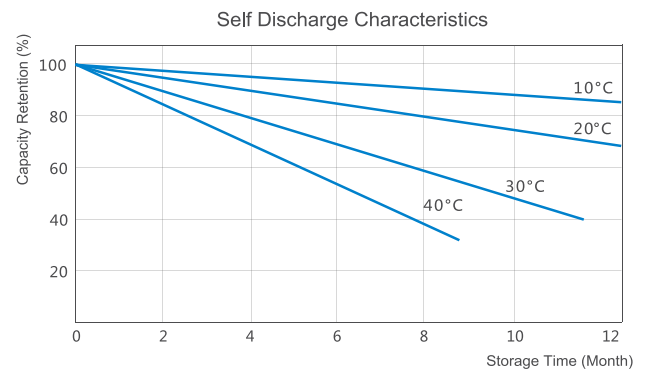
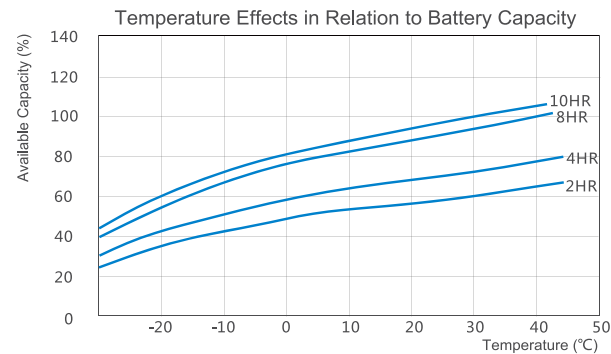
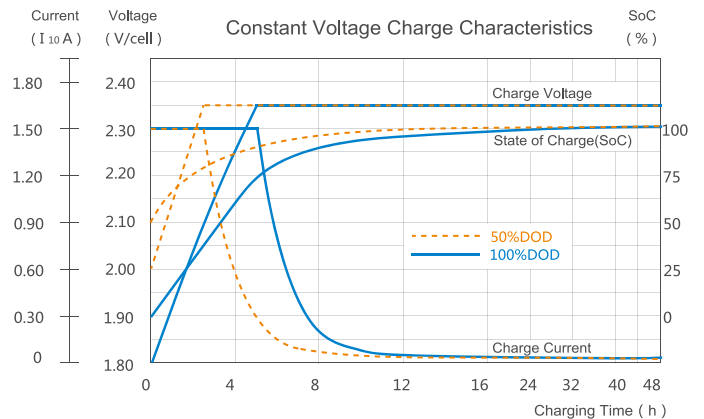
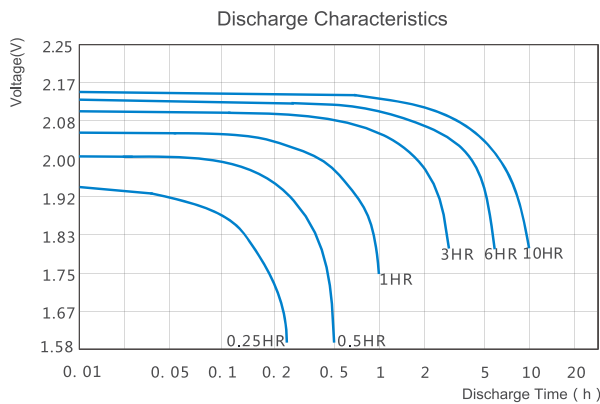
Constant Current Discharge Rate (A, 25°C)

Model	F.V. (V/Cell)	Minute						Hour									
		5	10	15	20	30	45	1	2	3	4	5	6	8	10	20	
GFM-1000	1.85	1001	880	760	709	624	531	473	313	244	192	173	156	124	95.0	54.9	
	1.80	1102	1021	939	858	721	597	521	339	259	208	178	163	132	101	57.0	
	1.75	1328	1161	1059	977	813	653	545	349	265	215	180	165	135	105	58.3	
	1.70	1483	1326	1168	1060	885	683	555	353	267	217	181	166	136	106	58.7	
	1.67	1624	1406	1246	1101	917	694	558	354	268	218	181	166	136	107	58.9	
	1.60	1836	1556	1355	1175	954	705	563	356	269	220	182	167	137	107	59.3	

Constant Power Discharge Rate (Watt/Cell, 25°C)

Model	F.V. (V/Cell)	Minute						Hour									
		5	10	15	20	30	45	1	2	3	4	5	6	8	10	20	
GFM-1000	1.85	1709	1530	1440	1360	1204	1051	918	600	476	377	348	315	249	191	105	
	1.80	2008	1809	1664	1517	1334	1114	996	651	503	398	358	327	263	201	112	
	1.75	2258	2042	1845	1702	1451	1189	1044	674	514	410	362	331	269	207	115	
	1.70	2604	2225	2013	1825	1523	1248	1067	682	518	413	364	333	270	209	116	
	1.67	2751	2358	2098	1883	1566	1267	1074	686	520	415	364	333	271	210	116	
	1.60	2964	2583	2226	1991	1621	1288	1082	688	522	417	365	334	272	212	117	

Performance



Disclaimer: All data presented above are subject to change without further notice. Please contact ALLGRAND for latest updates.

